



**ROCK MORE INTERNATIONAL**  
Rock Drilling Tools



<b>DTH HAMMER</b>	<b>ROK 400-001</b>	Recommended Bit Diameter 110 - 125mm [4.3 - 4.9 in]
-------------------	--------------------	--



**Features:**

- High Performance Design
- Integrated SonicFlow Technology
- Patent Pending Innovations
- Superior Penetration Rates
- Reduced Number of Components
- Easy Assembly / Maintenance
- Advanced Materials / Heat-Treatment
- Extended Service Life

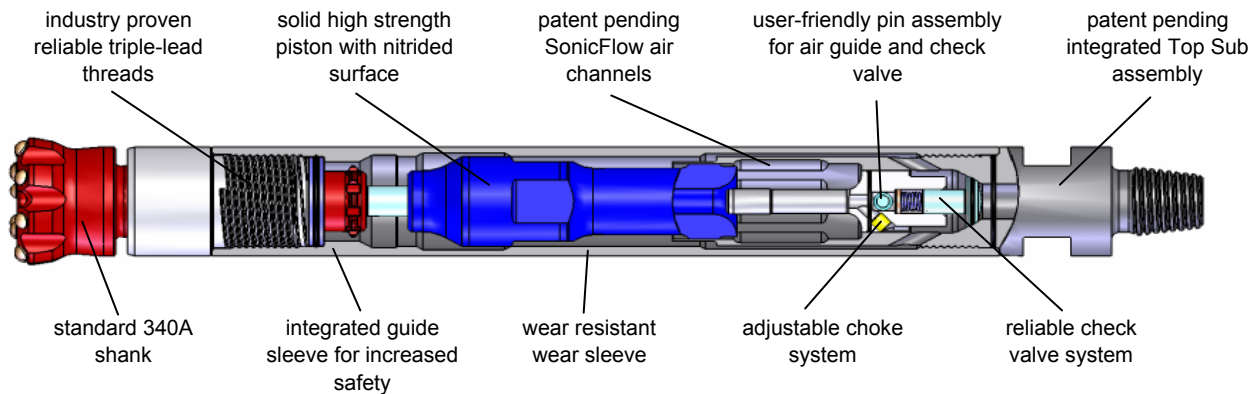
**SonicFlow Technology** greatly improves the air flow characteristics within the ROK hammer and ensures that the high pressure air paths are optimized to deliver greater energy to the piston. This is achieved by incorporating scientific air flow concepts in the design of the hammer and its various components such as the Top Sub, Piston, and Wear Sleeve. This technology results in more impact energy to the bit and produces higher penetration rates and better overall hammer performance.



**Applications:**

- Mining / Blast Hole
- Environmental
- Geothermal
- Construction / Quarry
- Exploration

**Innovative Design Features**



Unit 204, 9485 - 189 Street,  
Surrey (Port Kells), B.C.  
Canada V4N 5L8

phone: 604 513 4292  
fax: 604 513 4291